

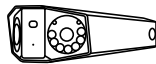
Quick Start Guide

Apply to: Reolink Duo Floodlight PoE/WiFi

Contents

What's in the Box	2
Camera Introduction	3
Connection Diagram	7
Set up the Camera	8
Mount the Camera	9
Specification	14
Notification of Compliance	14

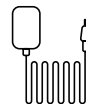
What's in the Box



Camera



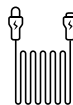
Antenna *



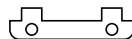
Power Adapter *



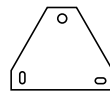
1M
Ethernet Cable



4.5M Power
Extension Cable *



Mounting Plate



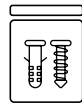
Mounting Hole
Template



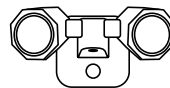
Quick Start Guide



Surveillance Sign



Pack of Screws



Floodlight

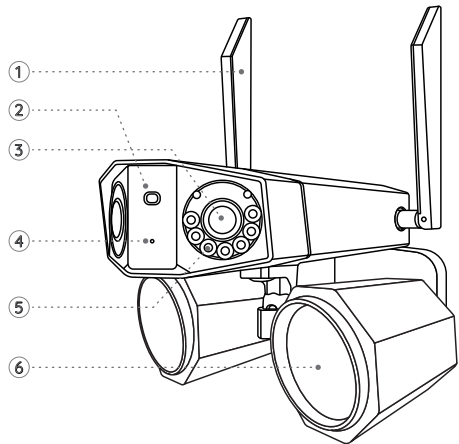
NOTE:

* The power adapter, antennas, and 4.5m power extension cable only come with the WiFi version.

Camera Introduction

WiFi Camera

1	Antenna
2	Daylight Sensor
3	Lens
4	Mic
5	Infrared Lights
6	Floodlight

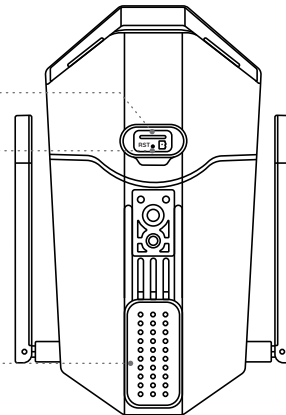


Micro SD Card Slot

Reset Button

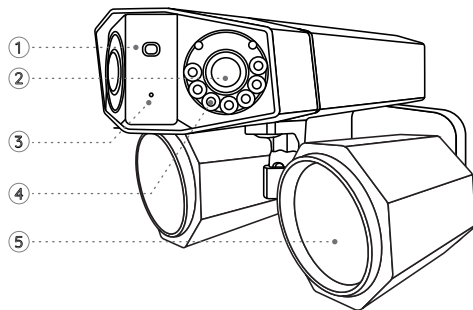
*Press the reset button with a pin to restore factory settings.

Speaker



PoE Camera

1	Daylight Sensor
2	Lens
3	Mic
4	Infrared Lights
5	Floodlight

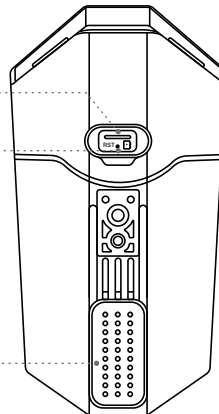


Micro SD Card Slot

Reset Button

*Press the reset button with a pin to restore factory settings.

Speaker

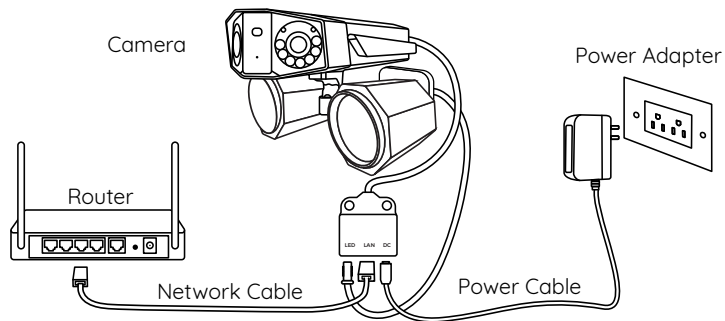


NOTE: Actual camera appearance and components are subject to the model you purchased.

Connection Diagram

Before initial setup, follow the steps below to connect your camera.

1. Connect the camera to a LAN port on your router with an Ethernet cable.
2. Use the power adapter to power on the camera.



NOTE: The connection diagram takes the WiFi camera as an example and also apply to the PoE camera. For PoE Camera, please power the camera with a PoE Switch/Injector/ Reolink PoE NVR, or a DC 12V power adapter.

Set up the Camera

Download and Launch the Reolink App or Client software, and follow the onscreen instructions to finish initial setup.

• On Smartphone

Scan to download the Reolink App.



• On PC

Download path of the Reolink Client: Go to <https://reolink.com> > Support > App & Client.

NOTE:

- When setting up the WiFi camera, you need to follow the onscreen instructions to finish the WiFi configuration first.
- If you are connecting the PoE camera to a Reolink PoE NVR, please set up the camera via the NVR interface.

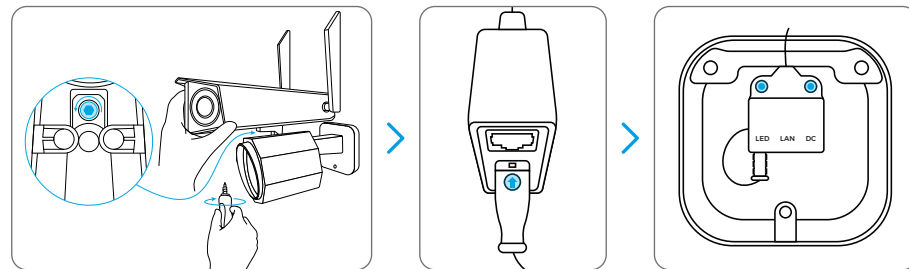
Mount the Camera

Installation Tips

- Do not face the camera towards any light sources.
- Do not point the camera towards a glass window. Or, it may result in poor image quality because of the window glare by infrared LEDs, ambient lights or status lights.
- Do not place the camera in a shaded area and point it towards a well-lit area. Or, it may result in poor image quality. To ensure best image quality, the lighting condition for both the camera and the capture object shall be the same.
- To ensure better image quality, it's recommended to clean the lens with a soft cloth from time to time.
- Make sure the power ports are not directly exposed to water or moisture and not blocked by dirt or other elements.
- With IP waterproof ratings, the camera can work properly under conditions like rain and snow. However, it doesn't mean the camera can work underwater.
- Do not install the camera at places where rain and snow can hit the lens directly.
- Try to keep the left lens level with the right lens.

Fix the Floodlight to the Camera

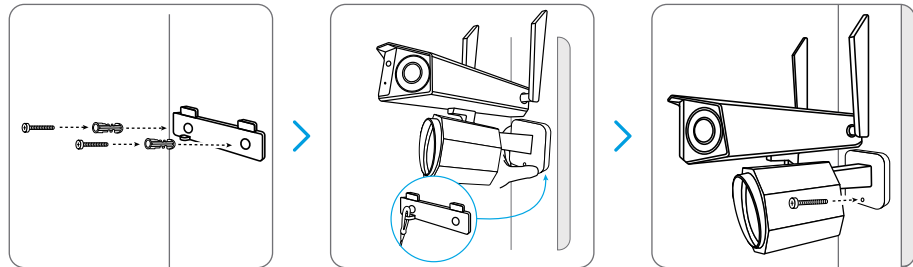
Fix the floodlight to the camera before mounting the camera.



- 1.Screw the floodlight to the camera.
- 2.Connect the wire from the floodlight to the wire from the camera. Make sure the side of the wire from the floodlight with an arrow mark on it faces the LAN port, as shown in the picture.
- 3.Tuck the wires into the mounting bracket.

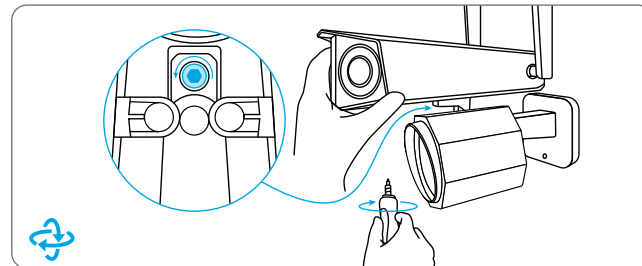
Mount the Camera to the Wall

The following installation methods take the WiFi camera as an example and also apply to the PoE camera.

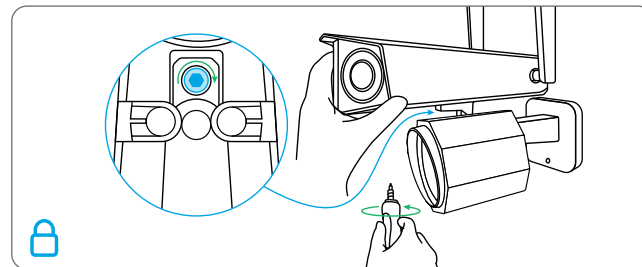


1. Drill holes in accordance with the mounting template.
2. Secure the mounting plate to the wall with two screws.
3. Connect the steel wire rope in the mounting bracket to the mounting plate, and hang the camera on the mounting plate.
4. Drill into the wall in accordance with the hole on the mounting bracket. Lock the camera in position with a screw.

NOTE: Use the drywall anchors included in the package if needed.

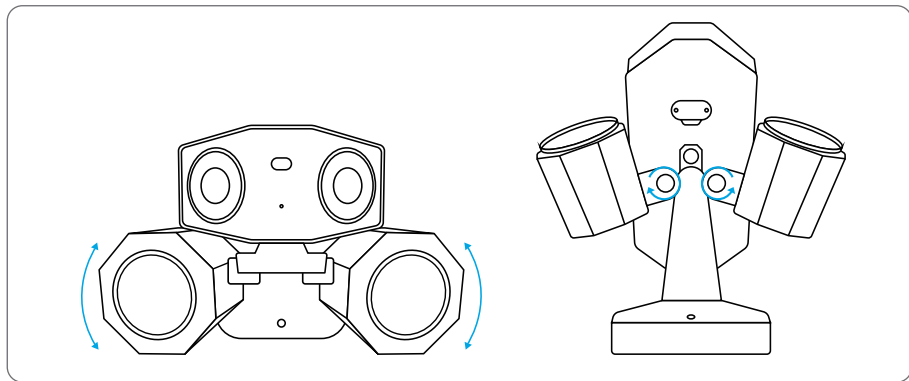


To get the best field of view, loosen the adjustment screw on security mount and turn the camera.



Stiffen the adjustment screw to lock the camera.

Adjust the Floodlights



You can adjust the floodlights manually before or after mounting the camera.

Specification

Hardware Features

Infrared Night Vision: Up to 30 meters
Floodlight: 40pcs/15W/4200K/2000 lumens

Day/Night Mode: Auto switchover

Angle of View: Horizontal: 180°, vertical: 60°

General

Dimension: 195x 103x 56 mm

Weight: 700g

Operating Temperature:

-10°C~+55°C (14°F~131°F)

Operating Humidity: 10% ~ 90%

For more specifications, visit
<https://reolink.com/>.

Notification of Compliance

FCC Compliance Statement

This device complies with Part 15 of the FCC Rules. Operation is subject to the following two conditions: (1) this device may not cause harmful interference, and (2) this device must accept any interference received, including interference that may cause undesired operation. Changes or modifications not expressly approved by the party responsible for compliance could void the user's authority to operate the equipment.

NOTE: The following notes are only for WiFi camera. This equipment has been tested and found to comply with the limits for a Class B digital device, pursuant

to Part 15 of the FCC Rules. These limits are designed to provide reasonable protection against harmful interference in a residential installation. This equipment generates, uses and can radiate radio frequency energy and, if not installed and used in accordance with the instructions, may cause harmful interference to radio communications. However, there is no guarantee that interference will not occur in a particular installation. If this equipment does cause harmful interference to radio or television, reception, which can be determined by turning the equipment off and on, the user is encouraged to try to correct the interference by one or more of the following measures:

- Reorient or relocate the receiving antenna.
- Increase the separation between the equipment and receiver.
- Connect the equipment into an outlet on

a circuit different from that to which the receiver is connected.

- Consult the dealer or an experienced radio/TV technician for help.

FCC RF warning statement:
The device has been evaluated to meet general RF exposure requirement. The device can be used in portable exposure condition without restriction.

Simplified EU Declaration of Conformity

Reolink declares that the WiFi camera is in compliance with the essential requirements and other relevant provisions of Directive 2014/53/EU, the PoE camera is in compliance with Directive 2014/30/EU.



Correct Disposal of This Product

This marking indicates that this product should not be disposed with other household wastes throughout the EU. To prevent possible harm to the environment or human health from uncontrolled waste disposal, recycle it responsibly to promote the sustainable reuse of material resources. To return your used device, please use the return and collection systems or contact the retailer where the product was purchased. They can take this product for environmentally safe recycling.

Limited Warranty

This product comes with a 2-year limited warranty that is valid only if purchased from Reolink Official Store or a Reolink authorized reseller. Learn more: <https://reolink.com/warranty-and-return/>.

NOTE: We hope that you enjoy the new purchase. But if you are not satisfied with the product and plan to return, we strongly suggest that you reset the camera to factory default settings before returning.

Terms and Privacy

Use of the product is subject to your agreement to the Terms of Service and Privacy Policy at reolink.com. Keep out of reach of children.

End User License Agreement

By using the Product Software that is embedded on the Reolink product, you agree to the terms of this End User License Agreement (“EULA”) between you and Reolink. Learn more: <https://reolink.com/eula/>.

IC ISED Radiation Exposure Statement (For WiFi Version)

The WiFi camera complies with RSS-102 radiation exposure limits set forth for an uncontrolled environment. This equipment should be installed and operated with minimum distance 20cm between the radiator & your body.

OPERATING FREQUENCY (For WiFi Version) (the maximum transmitted power)

2412MHz --- 2472MHz (19dBm)
5150MHz --- 5350MHz (18dBm)
5470MHz --- 5725MHz (18dBm)

Technical Support

If you need any technical help, please visit our official support site and contact our support team before returning the products,
<https://support.reolink.com>.